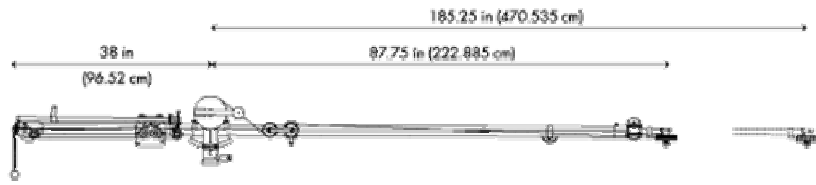
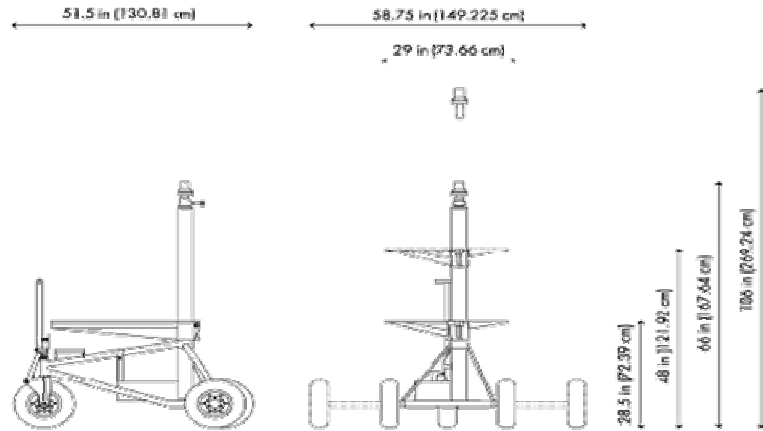


Fisher Model 2 Boom and Model 3 'pram' specs.



| | |
|-------------------|----------------------------------|
| Minimum length | 10 feet 7.5 inches (323.85 cm) |
| Maximum length | 18 feet 9 inches (571.5 cm) |
| Minimum reach | 7 feet 3.75 inches (222.885 cm) |
| Maximum reach | 15 feet 5.25 inches (470.535 cm) |
| Maximum payload | 5 pounds (2.27 kg) |
| Boom pivot | 60 degrees |
| Boom pan | 360 degrees |
| Telescopic travel | 8 feet 1.5 inches (247.65 cm) |
| Rear projection | 38 inches (96.52 cm) |
| Weight | 31 pounds (14.13 kg) |



| | |
|----------------------------|---------------------------|
| Minimum width (wheels in) | 29 inches (73.66 cm) |
| Maximum width (wheels out) | 58.75 inches (149.225 cm) |
| Length | 51.5 inches (130.81 cm) |
| Minimum Boom mount height | 66 inches (167.64 cm) |
| Maximum Boom mount height | 106 inches (269.24 cm) |
| Minimum platform height | 28.5 inches (72.39 cm) |
| Maximum platform height | 48 inches (121.92 cm) |
| Column travel | 40 inches (101.6 cm) |
| Platform travel | 28.5 inches (72.39 cm) |
| Weight | 120 pounds (54.43 kg) |

| | |
|----------|--|
| A | Weight variable 22 to 40 pounds (9.98 kg to 18.14 kg) |
| B | Weight fixed 14 pounds (6.35 kg) |
| C | Weight fixed 4.25 pounds (1.93 kg) |